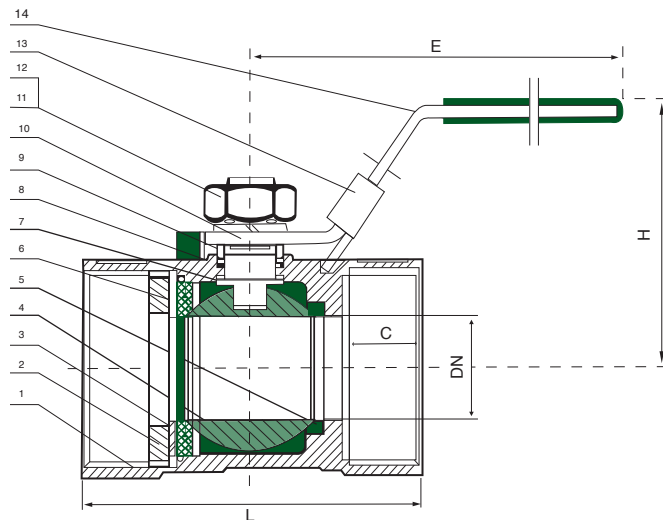


Size (inches)	Ød	L	E	H	C
1/4	5	40	76	31	10
3/8	7	45	82	36	10.5
1/2	9	57	95	43	13.5
3/4	12.5	60	100	50	14
1	16	72	111	54	16.5
1 1/4	20	78	111	59	19
1 1/2	25	83	139	65	19
2	32	99	152	70	21.5
2 1/2	38	128	200	84	31.5
3	50	150	220	108	32
4	65	192	300	117.5	44

**1 Piece Ball Valve**  
BSP Stainless Steel 316L  
ASME B16.34



Main Technical Parameter			
Normal Pressure		1000	PSi
Test Pressure	Shell Test Pressure	10.5	
	Tightness Test	7.7	MPa
	Gas-Tightness Test	0.6	
Max Working Temperature		-20~150	°C
Applicable Medium: Water, Gas, Oil, Acid			



No	Parts Name	Material
1	Body	ASTM A351 CF8M
2	Gland	ASTM A276 304
3	Washer	ASTM A276 304
4	Ball	ASTM A276 316
5	Seat	PTFE
6	Seat	PTFE
7	Stem	ASTM A276 304

No	Parts Name	Material
8	Gasket/ Packing	PTFE
9	Packing Gland	ASTM A276 304
10	Handle	ASTM A276 201
11	Stem nut	ASTM A276 304
12	Washer	ASTM A276 304
13	Handle Locking	ASTM A276 201
14	Handle Sleeve	PVC

\* above sizes are an indication and can vary from supplier to supplier.

# BSP FITTINGS

ASME B16.3

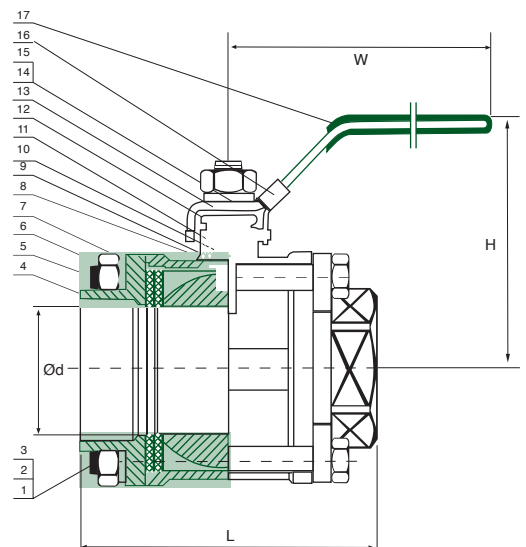
## 3 Piece Ball Valves

BSP Stainless Steel 316L

Design and manufacture to

ASME B16.34

Size (inches)	Ød	L	H	W
1/4	10.5	55	42	102
3/8	10.5	55	42	102
1/2	15	65	58	101
3/4	20	46.5	63	101
1	24	86	76	137
1 1/4	32	98	80	150
1 1/2	38	114	93	175
2	48	132	110	175
2 1/2	64	164	127	215
3	78	182	151	236
4	98	235	167	313



Main Technical Parameter			
Normal Pressure		1000	PSi
Test Pressure	Shell Test Pressure	10.5	MPa
	Tightness Test	7.7	
	Gas-Tightness Test	0.6	
Max Working Temperature		-20~150	°C
Applicable Medium: Water, Gas, Oil, Acid			

No	Parts Name	Material
1	Bolt	ASTM A276 304
2	Spring Washer	ASTM A276 304
3	Nut	ASTM A276 304
4	End Cap	ASTM A3510CF8M
5	Seat	PTFE
6	Ball	ASTM A276 316
7	Gasket	PTFE
8	Thrust Washer	PTFE
9	Body	ASTM A351 CF8M

No	Parts Name	Material
10	Stem	ASTM A276 304
11	Stem Gasket	PTFE
12	Packing Gland	ASTM A276 304
13	Handle	ASTM A276 201
14	Handle Washer	ASTM A276 304
15	Handle Nut	ASTM A276 201
16	Handle Lock	ASTM A276 304
17	Handle Cover	PVC

\* above sizes are an indication and can vary from supplier to supplier.