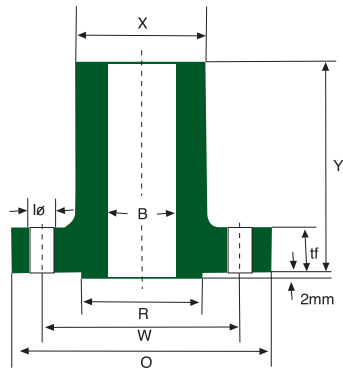


Long Welding Neck Flanges CL 150

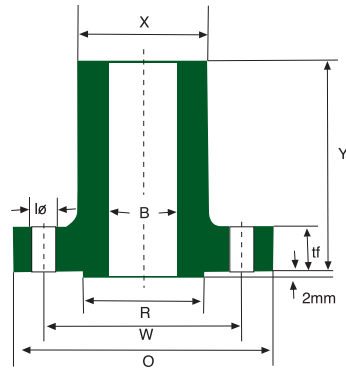
ASME B16.5



Pipe		Flange			Hub		Raised Face	Drilling Template			Approximate Weight
norm. size	O.D. mm	O mm	tf mm	Y mm	X mm	B mm	R mm	Number	I mm	W mm	kilo
1"	33.4	110	12.7	228.6	49	25.4	50.8	4	15.7	79.4	3.6
1 1/4"	42.2	115	14.3	228.6	59	31.7	63.5	4	15.7	88.9	4.5
1 1/2"	48.3	125	15.9	228.6	65	38.1	73.0	4	16.7	98.4	5.5
2"	60.3	150	17.5	228.6	78	50.8	92.1	4	19.1	120.7	7.3
2 1/2"	73.0	160	20.7	228.6	90	63.6	104.6	4	19.1	139.7	9.5
3"	88.9	190	22.3	228.6	108	76.2	127.0	4	19.1	152.4	11
3 1/2"	101.5	215	22.3	228.6	122	88.9	139.7	8	19.1	177.8	14
4"	114.3	130	22.3	304.8	135	101.6	157.2	8	22.4	190.5	21
5"	141.3	255	22.3	304.8	164	127.0	185.7	8	22.4	215.9	26
6"	168.3	180	23.9	304.8	192	152.4	215.9	8	22.4	241.3	36
8"	219.1	345	27.0	304.8	246	203.2	269.7	8	22.4	296.5	47
10"	273.0	405	28.6	304.8	305	254.10	323.6	12	25.4	362.0	66
12"	323.8	485	30.2	304.8	365	304.8	381.0	12	25.4	431.8	98
14"	355.5	535	33.4	304.8	400	355.6	412.8	12	28.4	476.3	100
16"	406.4	595	35.0	304.8	457	406.4	469.9	16	28.4	539.8	115
18"	457.2	635	38.1	304.8	505	457.2	533.4	16	31.8	577.9	126
20"	508.0	709	41.3	304.8	559	508.0	584.2	20	31.8	635.0	147
24	609.6	815	46.1	304.8	663	609.6	692.2	20	35.1	749.3	200

Long Welding Neck Flanges CL 300

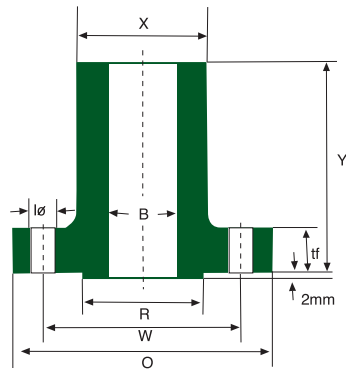
ASME B16.5



Pipe		Flange			Hub		Raised Face	Drilling Template			Approximate Weight
norm. size	O.D. mm	O mm	tf mm	Y mm	X mm	B mm	R mm	Number	I mm	W mm	kilo
1"	33.4	125	15.9	228.6	54	25.4	50.8	4	19.0	88.9	4.5
1 1/4"	42.2	136	17.5	228.6	64	31.7	63.5	4	19.0	98.4	6.4
1 1/2"	48.3	155	19.1	228.6	70	38.1	73.0	4	22.3	114.3	7.7
2"	60.3	165	20.7	228.6	84	50.8	92.1	8	19.0	127.0	8.6
2 1/2"	73.0	190	23.9	228.6	100	63.5	104.8	8	22.3	149.32	12.7
3"	86.9	210	27.0	228.6	117	75.2	127.0	8	22.3	168.3	16.3
3 1/2"	101.6	230	28.6	228.6	133	88.9	139.7	8	22.3	184.2	20.5
4"	114.3	255	30.2	304.8	146	101.6	157.2	8	22.3	200.0	24.5
5"	141.3	280	33.4	304.8	178	127.0	185.7	8	22.3	235.0	39
6"	168.3	320	35.0	304.8	206	152.4	215.9	12	22.3	269.9	49
8"	219.1	380	39.7	304.8	260	203.2	269.7	12	25.4	330.2	68
10"	273	445	46.1	304.8	321	254.10	323.9	16	26.6	387.4	99
12"	323.5	520	49.3	304.8	375	304.8	381.0	16	31.7	450.8	131
14"	356.6	585	52.4	304.8	425	355.6	412.8	20	31.7	514.4	155
16"	406.4	650	55.6	304.8	483	406.4	469.9	20	35.0	571.5	193
18"	457.2	710	58.8	304.8	533	457.2	533.4	24	35.0	628.6	224
20"	508	775	62.0	304.8	587	508.0	584.2	24	35.0	685.8	261
24"	809.6	915	68.3	304.8	702	609.6	692.1	24	41.1	812.8	374

Long Welding Neck Flanges CL 600

ASME B16.5



Pipe		Flange			Hub		Raised Face	Drilling Template			Approximate Weight
norm. size	O.D. mm	O mm	tf mm	Y mm	X mm	B mm	R mm	Number	I mm	W mm	kilo
1"	33.4	125	17.4	228.6	54	25.4	50.8	4	19.1	88.9	5
1 1/4"	42.2	135	20.7	228.6	64	31.7	53.5	4	19.1	96.4	6.4
1 1/2"	48.3	155	22.3	228.6	70	38.1	73.0	4	22.4	114.3	7.7
2"	60.3	165	25.4	228.6	84	50.8	92.1	8	19.1	127.0	9.5
2 1/2"	78.0	190	28.6	228.6	100	63.5	104.8	8	22.4	149.2	13
3"	88.9	210	31.8	228.6	117	76.2	127.0	8	44.4	168.3	17
3 1/2"	101.8	230	35.0	228.6	133	88.9	139.7	8	25.4	184.2	22
4"	114.3	275	38.1	304.8	152	101.6	157.2	8	25.4	215.9	36
5"	141.3	330	44.5	304.8	189	127.0	185.7	8	28.4	266.7	68
6"	168.9	355	47.7	304.8	222	152.4	215.9	12	28.4	292.1	72
8"	219.1	420	55.6	304.8	273	203.2	269.7	12	31.8	349.2	98
10"	273	510	63.5	304.8	343	254.0	323.9	16	35.1	431.8	147
12"	323.8	560	66.7	304.8	400	304.8	381.0	20	35.1	489.0	227
14"	355.8	605	69.9	304.8	432	355.6	412.8	20	38.1	527.0	189
16"	406.4	685	76.2	304.8	495	406.4	469.9	20	41.1	503.2	256
18"	457.2	745	82.6	304.8	546	457.2	533.4	20	44.4	664.0	297
20"	508	815	68.9	304.8	670	508.0	584.2	24	44.4	723.9	381
24	609.6	940	101.6	304.8	718	609.6	692.2	24	50.6	838.2	509