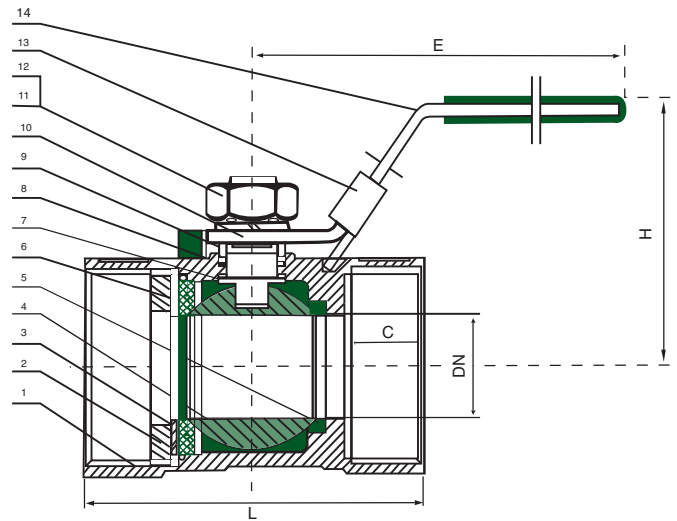


1 Piece Ball Valve

BSP Stainless Steel 316L
ASME B16.34



Size (inches)	Ød	L	E	H	C
1/4	5	40	76	31	10
3/8	7	45	82	36	10.5
1/2	9	57	95	43	13.5
3/4	12.5	60	100	50	14
1	16	72	111	54	16.5
1 1/4	20	78	111	59	19
1 1/2	25	83	139	65	19
2	32	99	152	70	21.5
2 1/2	38	128	200	84	31.5
3	50	150	220	108	32
4	65	192	300	117.5	44



Main Technical Parameter		
Normal Pressure		1000 PSI
Test	Shell Test Pressure	10.5 MPa
	Tightness Test	7.7 MPa
	Gas-Tightness Test	0.6 MPa
Max Working Temperature		-20-150 °C
Applicable Medium: Water, Gas, Oil, Acid		

No	Parts Name	Material	No	Parts Name	Material
1	Body	ASTM A351 CF8M	8	Gasket/ Packing	PTFE
2	Gland	ASTM A276 304	9	Packing Gland	ASTM A276 304
3	Washer	ASTM A276 304	10	Handle	ASTM A276 201
4	Ball	ASTM A276 316	11	Stem nut	ASTM A276 304
5	Seat	PTFE	12	Washer	ASTM A276 304
6	Seat	PTFE	13	Handle Locking	ASTM A276 201
7	Stem	ASTM A276 304	14	Handle Sleeve	PVC

* above sizes and details are an indication and may vary from supplier to supplier.