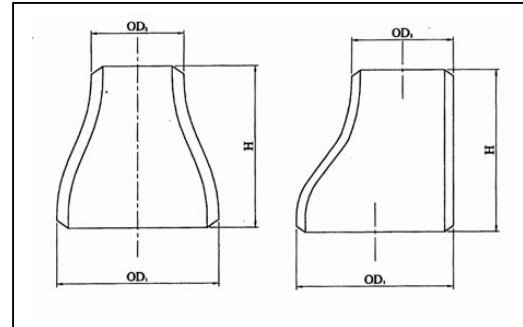


WELD ON FITTINGS

Concentric / Eccentric Reducers

ASTM A 403 WPW 304/304L & 316/316L
 ASME SA 403 WPW
 SCH 10 & SCH 40 Wall Thickness



Nominal Pipe Size (inches)	Outside Diameter (OD1)	Outside Diameter (OD2)	Length (H)	SCH 10 Weight	SCH 40 Weight
3/4 X 1/2	26.67	21.34	38.10	0.04	0.07
1 X 1/2	33.40	21.34	50.80	0.09	1.10
1 X 3/4	33.40	26.67	50.80	0.10	0.10
1 1/4 X 3/4	42.16	26.67	50.80	0.11	0.15
1 1/4 X 1	42.16	33.40	50.80	0.12	0.15
1 1/2 X 1/2	48.26	21.34	63.50	0.14	0.25
1 1/2 X 3/4	48.26	26.67	63.50	0.15	0.27
1 1/2 X 1	48.26	33.40	63.50	0.17	0.27
1 1/2 X 1 1/4	48.26	42.16	63.50	0.18	0.29
2 X 3/4	60.32	26.67	76.20	0.22	0.40
2 X 1	60.32	33.40	76.20	0.23	0.40
2 X 1 1/4	60.32	42.16	76.20	0.25	0.43
2 X 1 1/2	60.32	48.26	76.20	0.27	0.45
2 1/2 X 1 1/4	73.02	42.16	88.90	0.37	0.68
2 1/2 X 1 1/2	73.02	48.26	88.90	0.39	0.72
2 1/2 X 2	73.02	60.32	88.90	0.43	0.77
3 X 1 1/2	88.90	48.26	88.90	0.45	0.90
3 X 2	88.90	60.32	88.90	0.48	0.96
3 X 2 1/2	88.90	73.02	88.90	0.52	1.04
4 X 2	114.30	60.32	101.60	0.67	1.63
4 X 2 1/2	114.30	73.02	101.60	0.71	1.72
4 X 3	114.30	88.90	101.60	0.76	1.77
5 X 4	141.30	114.30	127.00	1.33	2.81
6 X 3	168.27	88.90	139.70	1.53	3.80
6 X 4	168.27	114.30	139.70	1.65	3.94
6 X 5	168.27	141.30	139.70	1.78	4.03