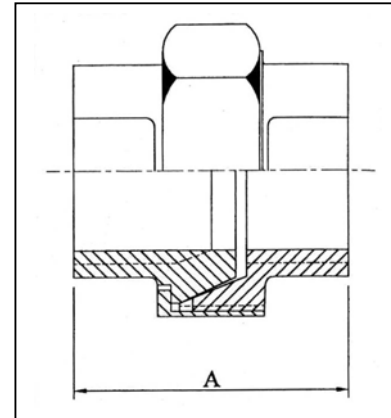


BSP FITTINGS

Unions

Female thread with conical seat
 BSP screwed parallel
 ASA 150 lb (68 kg) rating

Available in grade **316/316L**



Nominal Bore		Length (A)	Width Across
(mm)	(inches)		
6	1/8	30.5	25
8	1/4	34	31
10	3/8	38	37
15	1/2	41	42
20	3/4	43	49
25	1	51.5	59
32	1 1/4	54.5	69
40	1 1/2	58.5	78
50	2	65.56	93
65	2 1/2	83	112
80	3	92	127
100	4	112.5	158