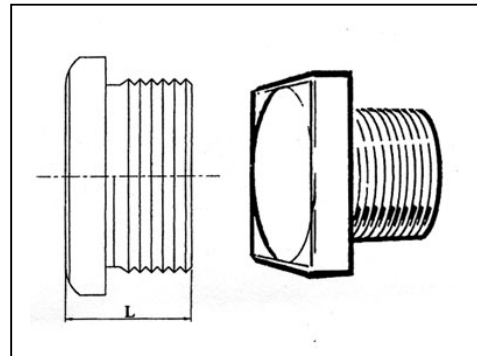


## BSP FITTINGS

### Square Head Plug BSP

Screwed male taper thread  
 ASA 150 lb (68 kg) rating

Available in type AISI 316



Nominal Bore		Length (L)	Width across
(mm)	(inches)	(mm)	Flats (mm)
6	1/8	16	7
8	1/4	19	9
10	3/8	21	12
15	1/2	25	14
20	3/4	28	17
25	1	31	19
32	1 1/4	35	23
40	1 1/2	36	26
50	2	41	32
65	2 1/2	48	41
80	3	53	46
100	4	62	58